

Drum Scrubber (DS)



Economical, Durable Deep Bed Design

SPECIFICATIONS:

Applications	Wastewater odor removal
Airflow Range	0 CMH (0 CFM) – 2,123.7 CMH (1,250 CFM) <i>*Please review the model selection sheet for more information</i>
Configuration	Vertical airflow
Construction Material	Standard: High-density polyethylene (HDPE) Other options: Stainless Steel, Fiberglass reinforced plastic
Particulate Filtration	Odor Control Applications: Mist & Grease Filter Other Applications: 5 cm (2 in), 30% MERV 8 Prefilter, 15 cm (6 in), 95% MERV 13 Final Filter <i>*Other filter sizes/options available upon request. Please contact the factory for more information.</i>
Blower Configuration	DRAWTHRU: Standard and allows the blower to work in clean air, thus making it last longer and require less maintenance <i>*Redundant blowers & other special options available</i>
Customizable	Multiple sizes and configurations available, reference model selection chart for details. Add-on accessories like sound enclosures are available. Contact factory for more information. <i>*Don't see what you are looking for? PureAir specializes in customization. Contact us with your air filtration needs and we will work with you to find the best solution for your needs.</i>



BENEFITS:

- Low maintenance: Ease of replacing and disposing of filtration media
- Multiple beds available for adsorbent media. For more information on the adsorbent media, please see the media brochure

MEDIA BED ROD:



This unit is equipped with a metal media bed rod. The rod is positioned inside the system at an angle against the direction of airflow and detects the expiration level of the media.

- Dark, corroded coloration on rod shows where media has expired. Once half the rod has been corroded, one should contact the factory to replace the media to ensure the proper functioning of the system.
- Interested in instant notification of media life? Ask about our electronic media bed rod that can be added to your system as an upgrade.



Case Study
City of Camas

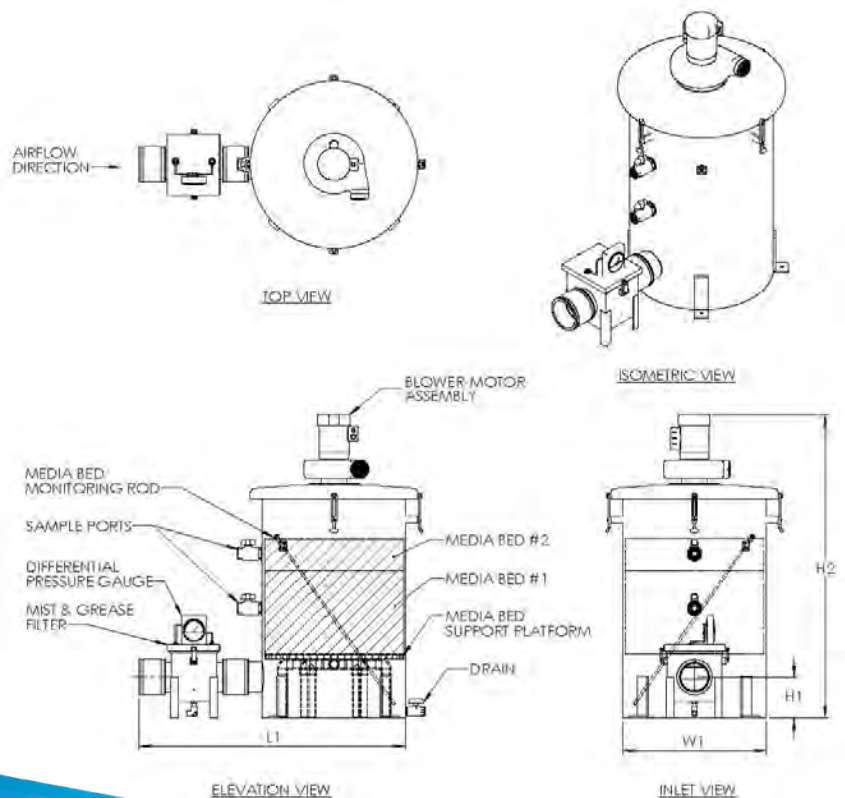


MODEL SELECTION TABLE

DS MODEL #	AIR FLOW RANGE CFM (CMH)	MOTOR RANGE kW (HP)	MEDIA VOLUME M ³ (FT ³)*	Shipping Weight KG (LBS)	Operating Weight KG (LBS)
100	85 - 300 (50 - 175)	.37 (.5)	.14 (5)	79 (175)	156 (345)
300	300 - 510 (175 - 300)	.56 (.75)	.25 (10)	154 (340)	304 (670)
500	510 - 850 (300 - 500)	.75 (1)	.42 (17)	113 (250)	386 (850)
1000	1190 - 2125 (700 - 1250)	1.1 (1.5)	1.1 (39)	272 (600)	862 (1900)

Customers who rely on PureAir's DS:

- Byrne Hollow Farms
- Dean Foods
- Town of Strasburg
- Coney Island WWTP
- LOVECO
- CTI Beanmaker
- Wahoo Creek Influent PS
- Belmont County Fairgrounds
- Imperial Landfill



+1 678.935.1431

Toll Free: 866.543.7479

www.PureAirFiltration.com

6050 Peachtree Pkwy Suite 240-187. Atlanta, GA, 30092 USA

Revision 0