

# Radial Flow (RF)



## Small footprint system with high airflow

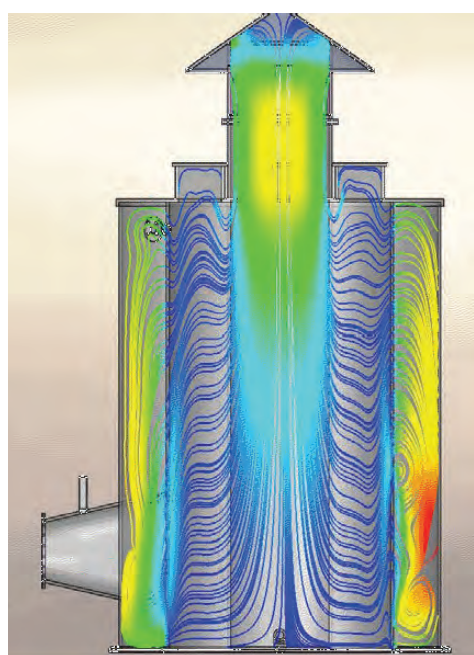
### SPECIFICATIONS:

Applications	Odor & emissions control and protection of critical electronics.
Airflow Range	5,097.0 CMH (3,000 CFM) – 45,475.2 CMH (25,000 CFM) <i>*Please review the model selection sheet for more information.</i>
Configuration	Innovative radial flow design with internal, independent shells of media banks.
Construction Material	<b>Standard:</b> Fiberglass reinforced plastic (FRP) <b>Other options:</b> High-density polyethylene (HDPE)
Particulate Filtration	<b>Odor Control Applications:</b> Mist & Grease Filter <b>Other Applications:</b> 5 cm (2 in), 30% MERV 8 Prefilter, 15 cm (6 in), 95% MERV 13 Final Filter <i>*Other filter sizes/options available upon request. Please contact the factory for more information.</i>
Blower Configuration	<b>BLOWTHRU:</b> Standard <i>*Redundant blowers &amp; other special options available</i>
Customizable	Multiple sizes and configurations available, reference model selection chart for details. Add-on accessories like sound enclosures are available. Contact factory for more information. <i>*Don't see what you are looking for? PureAir specializes in customization. Contact us with your air filtration needs and we will work with you to find the best solution for your needs.</i>



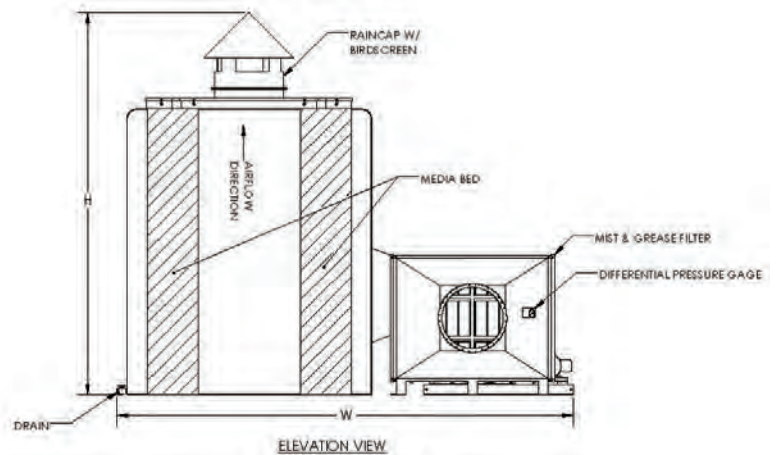
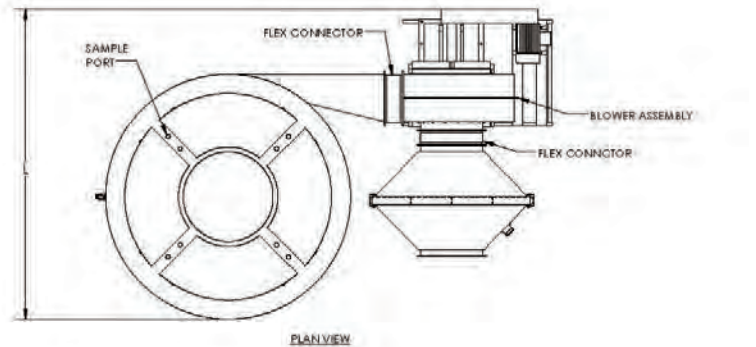
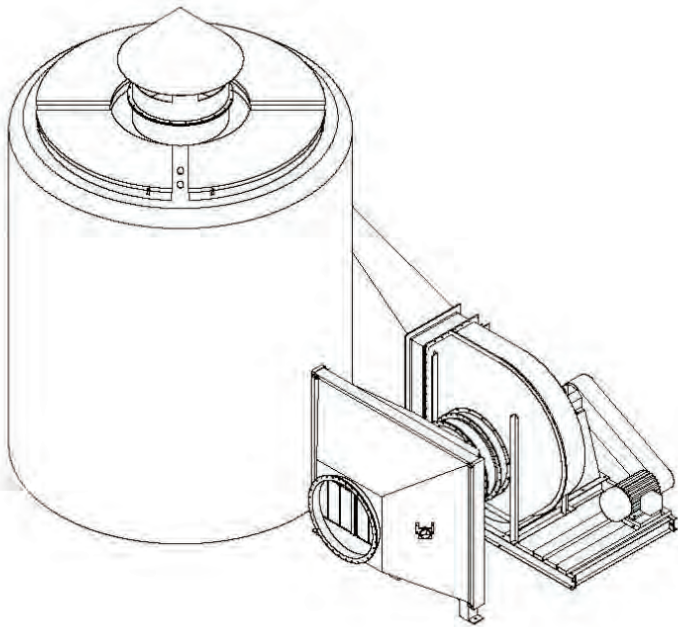
### BENEFITS:

- Low Maintenance: Bulk loading and unloading options
- Round tank design meant for high airflows above 6,796 CMH (3,000 CFM).
- Multiple beds available for adsorbent media. For more information on the adsorbent media, please see the media brochure.
- Small footprint



## MODEL SELECTION TABLE

RF MODEL # RF-	AIRFLOW RANGE CMH (CFM)	TANK DIAMETER MM (FT)	HEIGHT MM (INCHES)	MOTOR SIZE KW (HP)	MEDIA VOLUME M <sup>3</sup> (FT <sup>3</sup> )	SHIPPING KG (LBS)	OPERATING WEIGHT KG (LBS)
0608	5,100-6,830 (3,000-4,020)	1,830 (6)	3,300 (130)	7.5 (10)	4.0 (144)	1,290 (2,840)	2,840 (6,260)
0610	6,830-6,530 (4,020-5,020)	1,830 (6)	3,560 (140)	11.2 (15)	5.0 (176)	1,670 (3,670)	5,380 (7,900)
0612	6,530-10,250 (5,020-6,030)	1,830 (6)	4,320 (170)	11.2 (15)	5.9 (210)	1,220 (4,680)	4,400 (9,710)
0808	10,250-13,340 (6,030-7,850)	2,440 (8)	3,300 (130)	15.0 (20)	7.9 (279)	2,540 (5,610)	5,000 (11,030)
0810	13,340-16,670 (7,850-9,810)	2,440 (8)	3,810 (150)	22.4 (30)	9.7 (344)	3,380 (7,460)	6,420 (14,160)
0812	16,670-20,010 (9,810-11,780)	2,440 (8)	5,080 (200)	30.0 (40)	11.6 (409)	3,880 (8,550)	7,500 (16,530)
1010	20,010-23,340 (11,780-13,740)	3,050 (10)	4,060 (160)	37.3 (50)	13.6 (481)	5,070 (11,170)	9,040 (19,930)
1012	23,340-28,020 (13,740-16,490)	3,050 (10)	5,080 (200)	44.8 (60)	16.2 (572)	6,030 (13,300)	10,760 (23,730)
1014	28,020-32,690 (16,490-19,240)	3,050 (10)	5,330 (210)	44.8 (60)	18.8 (664)	7,090 (15,620)	12,570 (27,720)
1210	32,690-30,020 (19,240-17,670)	3,660 (12)	4,060 (160)	56.0 (75)	17.5 (618)	7,210 (15,900)	12,120 (26,730)
1212	30,020-36,020 (16,000-21,200)	3,660 (12)	5,080 (200)	56.0 (75)	20.8 (736)	8,890 (19,590)	14,730 (32,480)
1214	36,020-42,030 (21,200-24,740)	3,660 (12)	5,590 (220)	74.6 (100)	24.2 (854)	10,370 (22,860)	17,150 (37,810)



+1 678.935.1431

Toll Free: 866.543.7479

www.PureAirFiltration.com

6050 Peachtree Pkwy Suite 240-187. Atlanta, GA, USA 30092

Revision 0